

HTM PUMPS PP-PVDF



- :
 - : PP/PVDF
 - : EPDM/VITON
 - : Al₂O₃ : PTFEC
 - - NeFeBo
 - : PP 60 (max 70) PVDF 80 (max 90)
 - : Max. 200 cSt.
- :
 - Gas threaded in and outlet connections / 가 (?)
 -
- :
 -
 -
 -

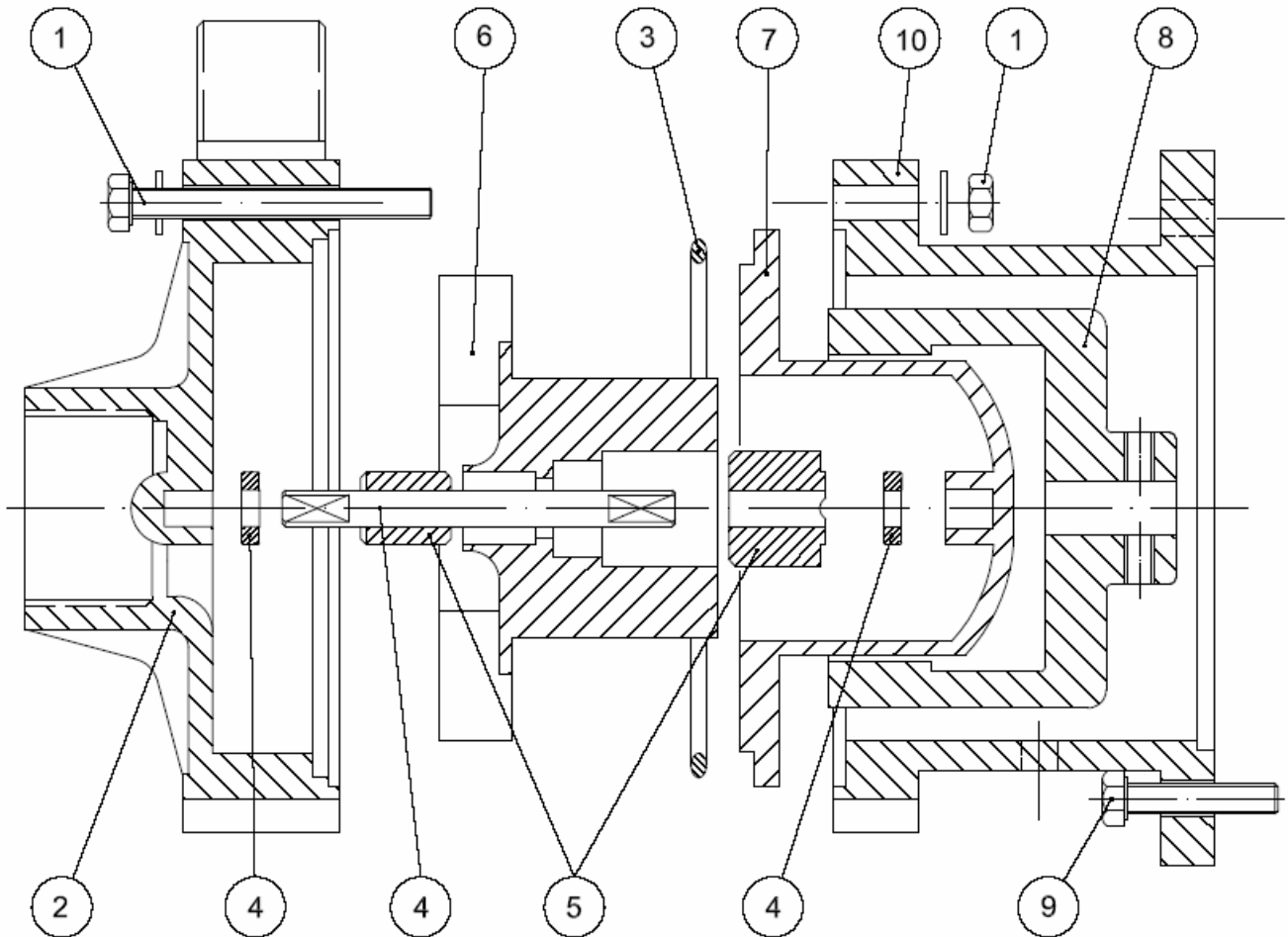
- : ()
- , ,

:
, , , , , , , / , PCB, , ,

- : 0.6 ~ 36 m³/h
- : max. 37 m
- : -10 ~ +90
- : max. 4 bar

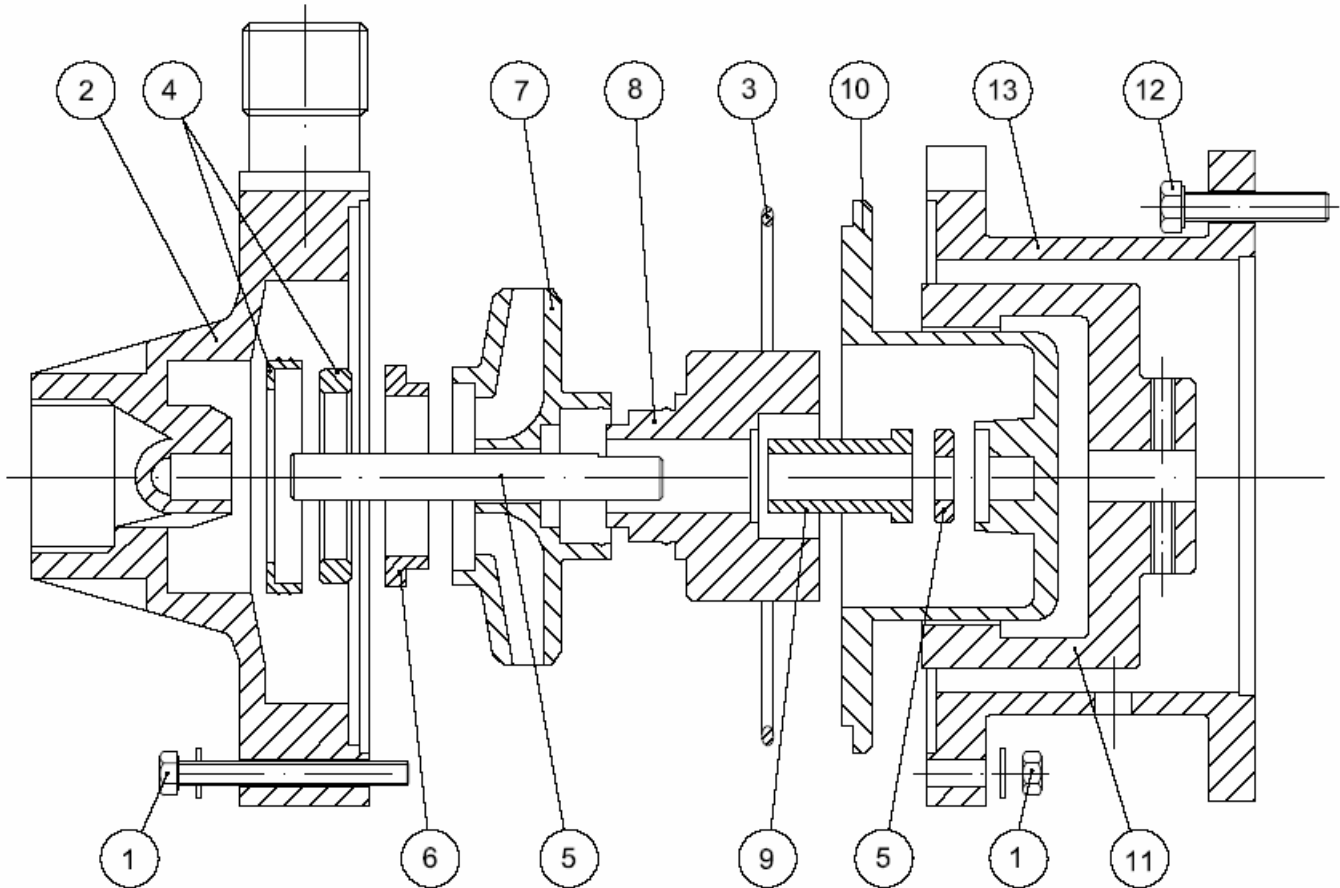
- : HTM 4 (1 " FPT) HTM 6 (1 " FPT) HTM 10 (1 1/2 " FPT)
HTM 15 (2" MALE) HTM 31 (2 1/2" MALE)

HTM 4 PP / PVDF



POS.	1	2	3	4	5	6	7	8	9	10
PART DESCRIPTION	SET SCREWS	FRONT CASING	O - RING	SHAFT + RINGS	BEARINGS	IMPELLER +INTERNAL MAGNET	REAR CASING	EXTERNAL MAGNET	SCREWS	BRACKET
MATERIALS	A2	PP PVDF	EPDM VITON	Al ₂ O ₃	PTFEC	PP PVDF NeFeb	PP PVDF	Fe NeFeb	A2	PP

HTM 6 - 10 PP / PVDF

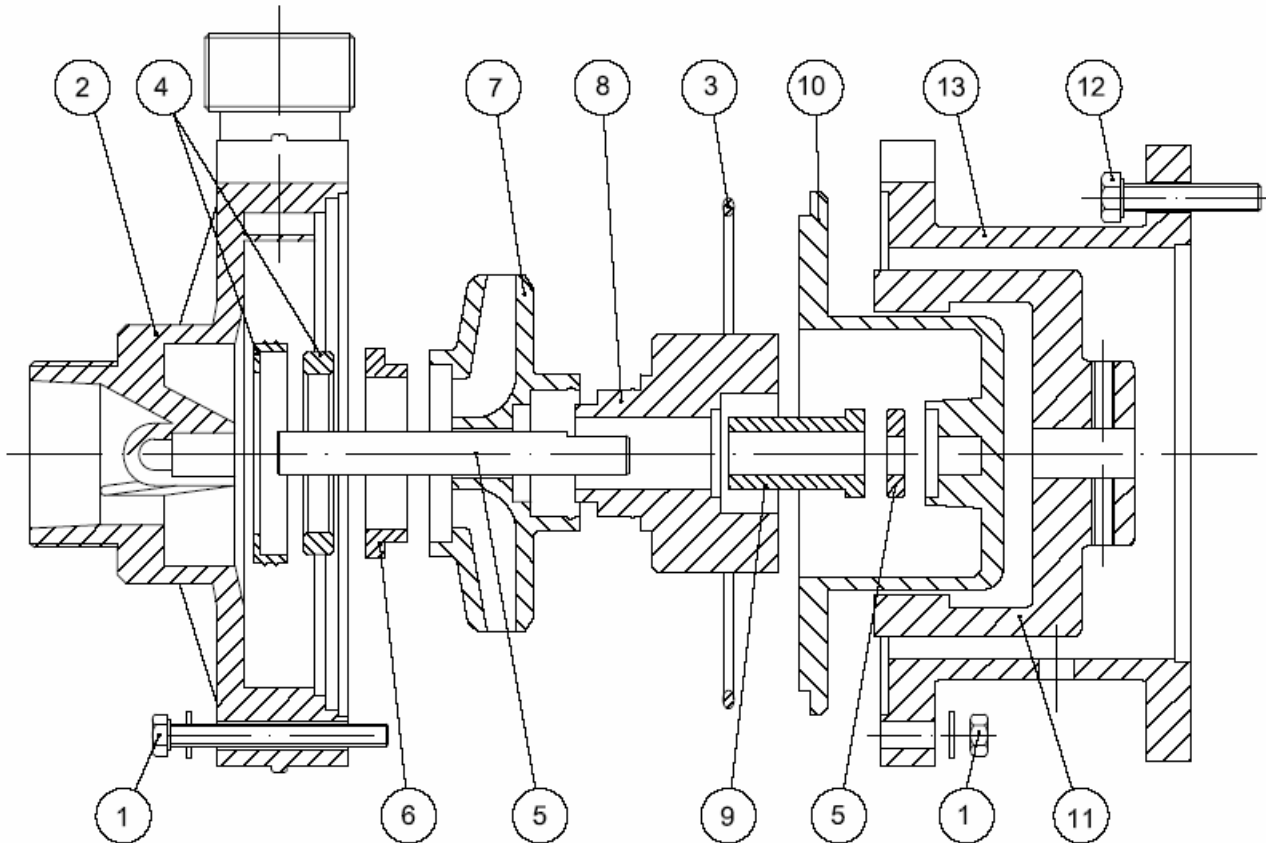


POS.	1	2	3	4	5	6
PART DESCR.	SET SCREWS	FRONT CASING	O - RING	CASING THRUST BUSH	SHAFT + RING	IMPELLER THRUST BEARING
MATERIALS	A2	PP PVDF	EPDM VITON	Al ₂ O ₃ EPDM VITON	Al ₂ O ₃	PTFEC

7	8	9	10	11	12	13
IMPELLER	INT. MAGNET	BEARING	REAR CASING	EXT. MAGNET	SCREWS	BRACKET
PP PVDF	PP PVDF NeFeb	PTFEC	PP PVDF	Fe NeFeb	A2	PP

HTM 15 - 31 PP / PVDF

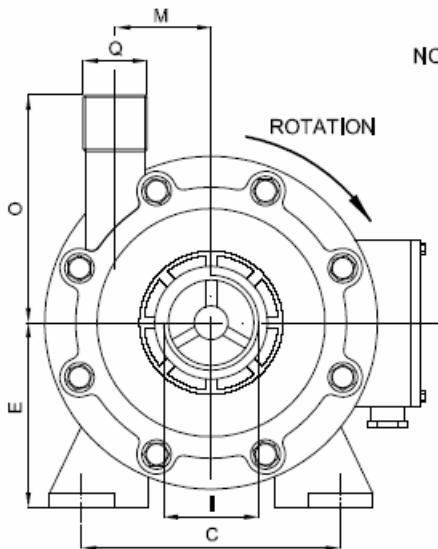
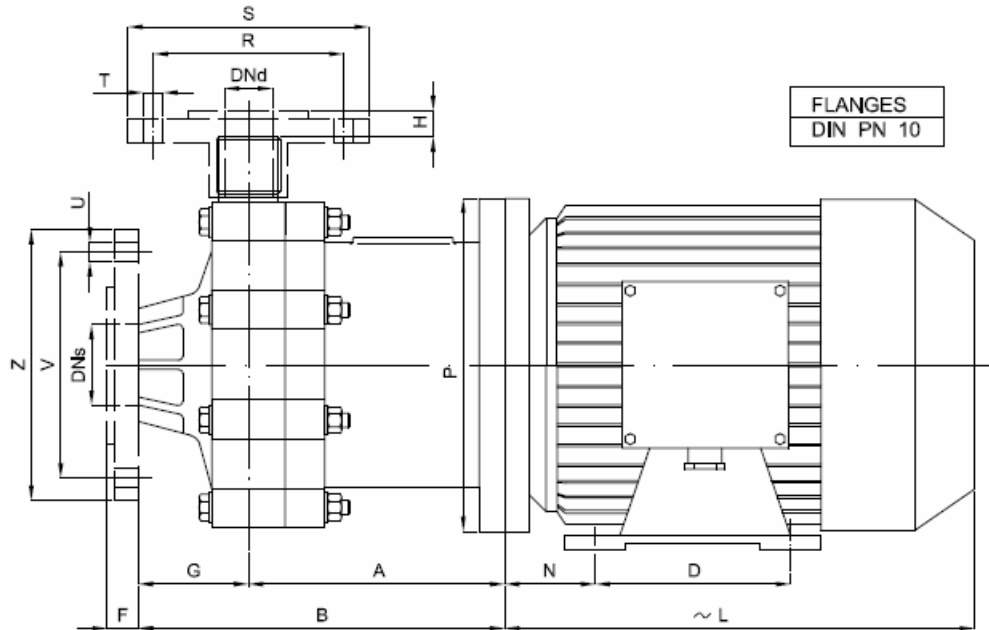
SEZIONE / SECTION



POS.	1	2	3	4	5	6
PART DESCR.	SET SCREWS	FRONT CASING	O - RING	CASING THRUST BUSH	SHAFT + RING	IMPELLER THRUST BEARING
MATERIALS	A2	PP PVDF	EPDM VITON	Al ₂ O ₃ EPDM VITON	Al ₂ O ₃	PTFEC

7	8	9	10	11	12	13
IMPELLER	INT. MAGNET	BEARING	REAR CASING	EXT. MAGNET	SCREWS	BRACKET
PP PVDF	PP PVDF NeFeb	PTFEC	PP PVDF	Fe NeFeb	A2	PP

HTM 4 - 6 - 10 PP / PVDF



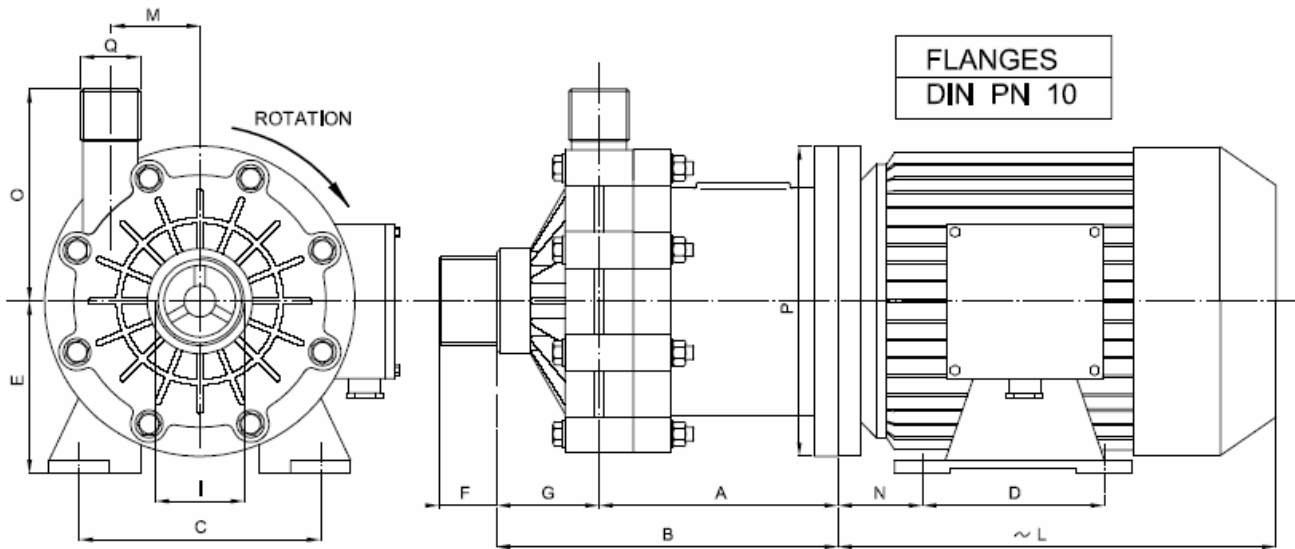
NOTE : PUMPS AVAILABLE THREADED OR FLANGED,
DIRECTION OF ROTATION IS COUNTER CLOCKWISE
AS SEEN WHEN FACING THE MOTOR.

PUMP TYPE	FLANGES DIMENSIONS - mm -							
	R	S	T	U	V	Z	DN _s	DN _d
HTM 4	—	—	—	—	—	—	—	—
HTM 6	75	105	14	14	85	115	25	20
HTM 10	85	115	14	18	110	150	40	25

PUMP TYPE	MOTOR FLANGE B3-B5	POT. Kw	DIMENSIONS - mm -														
			A	B	C	D	E	F	G	H	I	~L	M	N	O	P	Q
HTM 4	G 56 B	0,12	76	115	90	71	56	—	39	—	1 FPT	178	34	35	80	120	1/2 FPT
HTM 6	G 63 B	0,25	84	143	100	80	63	18	59	10	1 FPT	183	46	40	91	140	3/4 FPT
HTM 10	G 71 B	0,55	110	180	112	90	71	20	70	9	1 1/2 FPT	204	45	45	100	160	1 FPT

HTM 15 - 31 PP / PVDF

DIMENSIONI D'INGOMBRO / DIMENSIONS



NOTE :

DIRECTION OF ROTATION IS COUNTER CLOCKWISE AS SEEN WHEN FACING THE MOTOR.

PUMP TYPE	MOTOR FLANGE B3 - B5	POT. Kw	DIMENSIONS - mm -														
			A	B	C	D	E	F	G	H	I	~ L	M	N	O	P	Q
HTM 15	G 80 B	1.1	150	230	125	100	80	28	80	-	2" MALE	224	63	50	125	200	1 1/2" MALE
HTM 15	G 90 S	1.5	160	240	125	100	90	28	80	-	2" MALE	224	63	56	125	200	1 1/2" MALE
HTM 31	G 90 S	2.2	184	245	140	100	90	30	61	-	2 1/2" MALE	272	66	56	140	200	2" MALE

CURVE HTM PP/PVDF 2900 RPM

